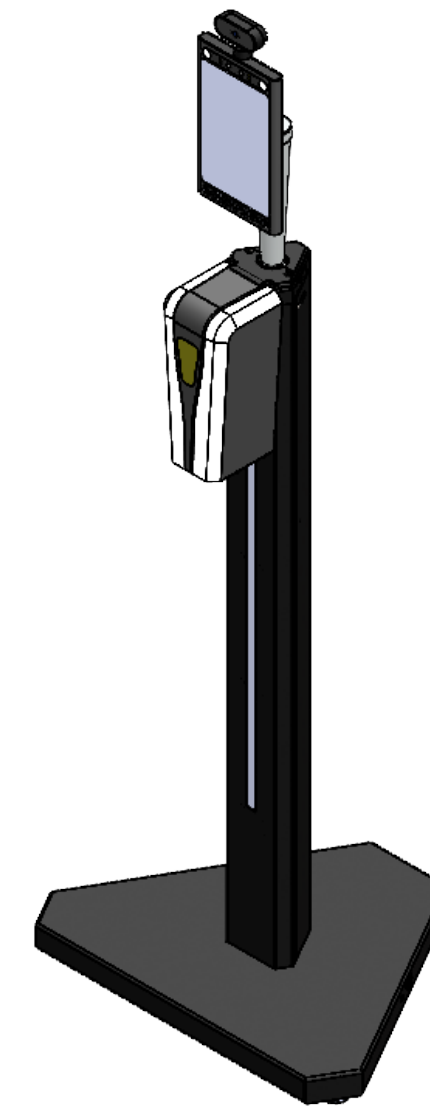
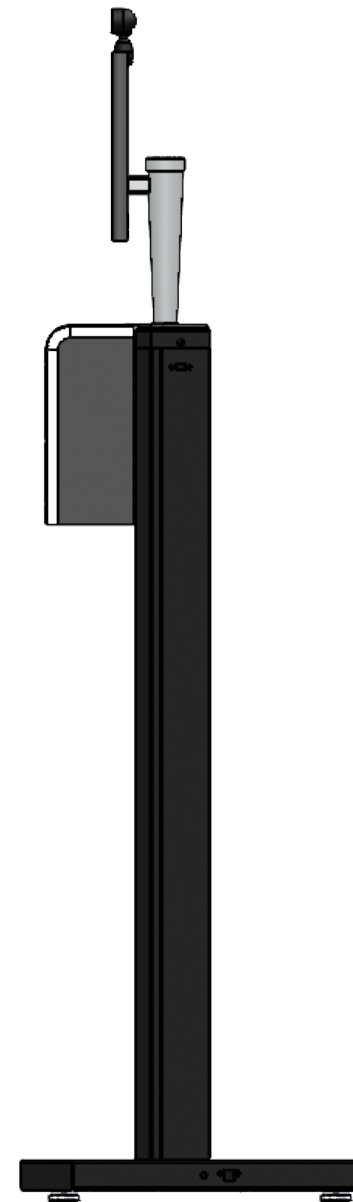
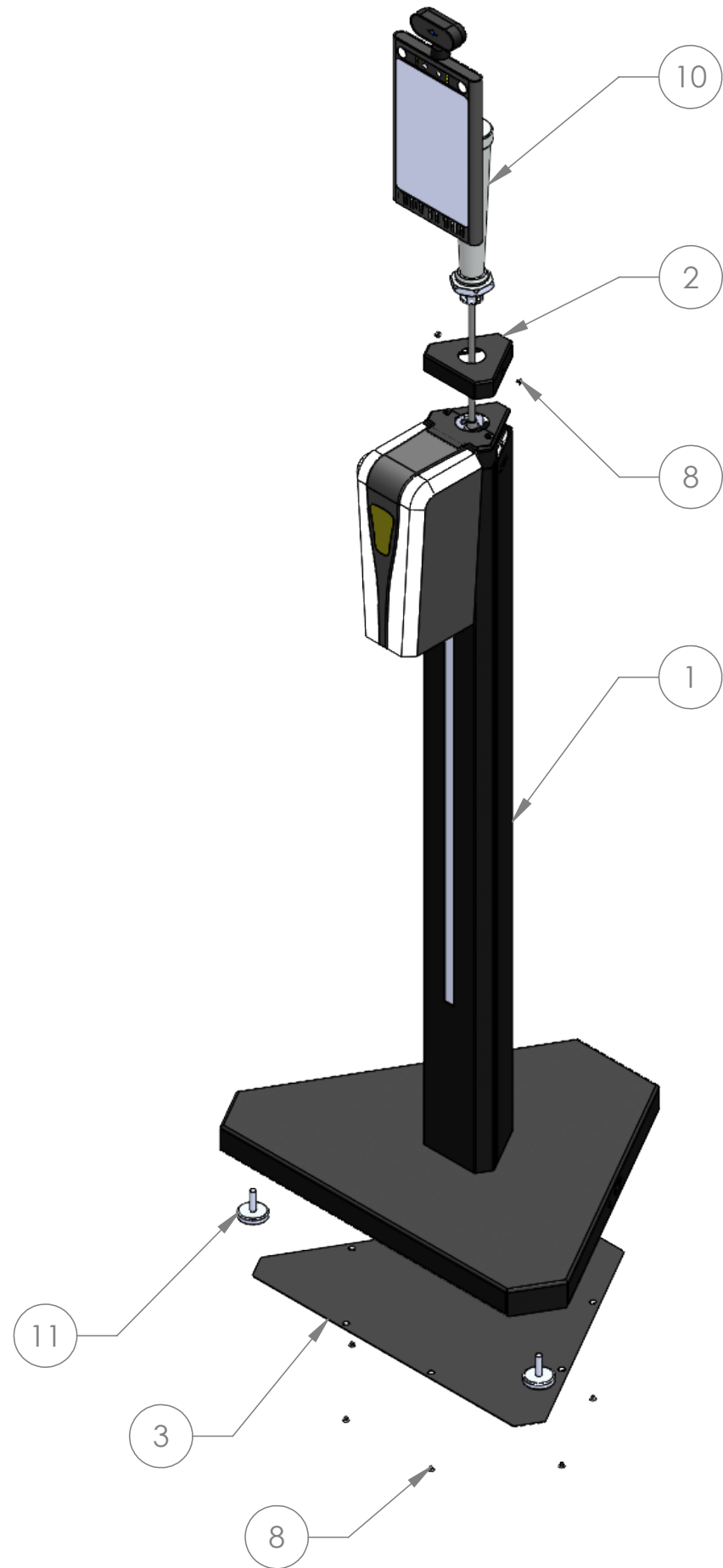


NOTES:



<b>OUTFORM™</b>		UNLESS OTHERWISE SPECIFIED: DIMENSIONS ARE IN MILLIMETRES	
PART NO. <b>UE200260-A</b>		TOLERANCES: FRACTIONAL ±0.5MM ANGULAR ±1° ONE PLACE DECIMAL ±.50 TWO PLACE DECIMAL ±.05	
TITLE: <b>IDISPLAY THERMOMETER ADULT STAND</b>		VOLUME: Cu mm	
MATERIAL:		WEIGHT: g	
FINISH:		DRAWN	DATE
COLOUR:			04/06/2020
REV	SHEET 1 / 2	APPROVED	DATE
0		-	yyyy/mm/dd
THIRD ANGLE PROJECTION METRIC ENGLISH		SIZE <b>A3</b>	DO NOT SCALE



Item No.	Part Name	Description	Material	Finish	Weight (g)	Qty
1	20E0260-A01-M001	IDISPLAY THERMOMETER STAND EMEA	SEE PART DRAWINGS	PC MATCHBOX BLACK	1077.668	1
2	20E0260-A01-M002	TOP CAP	STEEL	EPC MATCHBOX BLACK	17.247	1
3	20E0260-A01-M003	BASE COVER	STEEL	EPC MATCHBOX BLACK	143.177	1
4	20E0260-A01-M004	SANITISER BRACKET	STEEL	EPC MATCHBOX BLACK	123.189	1
5	20E0260-A01-M005	SANITISER BRACKET 2	STEEL	EPC MATCHBOX BLACK	4.137	1
6	20E0260-A01-M006	LIGHTING TRAY	STEEL	EPC MATCHBOX BLACK		1
7	20E0260-A01-P001	LIGHTING DIFFUSER	OPAL 050			1
8	BS EN ISO 7046-1 - M4 x 5 - Z - 5N					10
9	BS EN ISO 7046-1 - M3 x 5 - Z - 5N					2
10	UK DISPLAY AND CAMERA					1
11	M8 X 30 FOOT					3
12	Hand Sanitizer					1

<b>OUTFORM™</b>		UNLESS OTHERWISE SPECIFIED: DIMENSIONS ARE IN MILLIMETRES TOLERANCES: FRACTIONAL ±0.5MM ANGULAR ±1° ONE PLACE DECIMAL ±.50 TWO PLACE DECIMAL ±.05	
PART NO. <b>UE200260-A</b>		VOLUME: Cu mm	
TITLE: <b>IDISPLAY THERMOMETER ADULT STAND</b>		WEIGHT: g	
MATERIAL:		DRAWN DATE <b>04/06/2020</b>	
FINISH:		APPROVED DATE	
REV <b>0</b>	<b>SHEET 2 / 2</b>	THIRD ANGLE PROJECTION METRIC ENGLISH MM IN	SIZE <b>A3</b> DO NOT SCALE
		- yyyy/mm/dd	