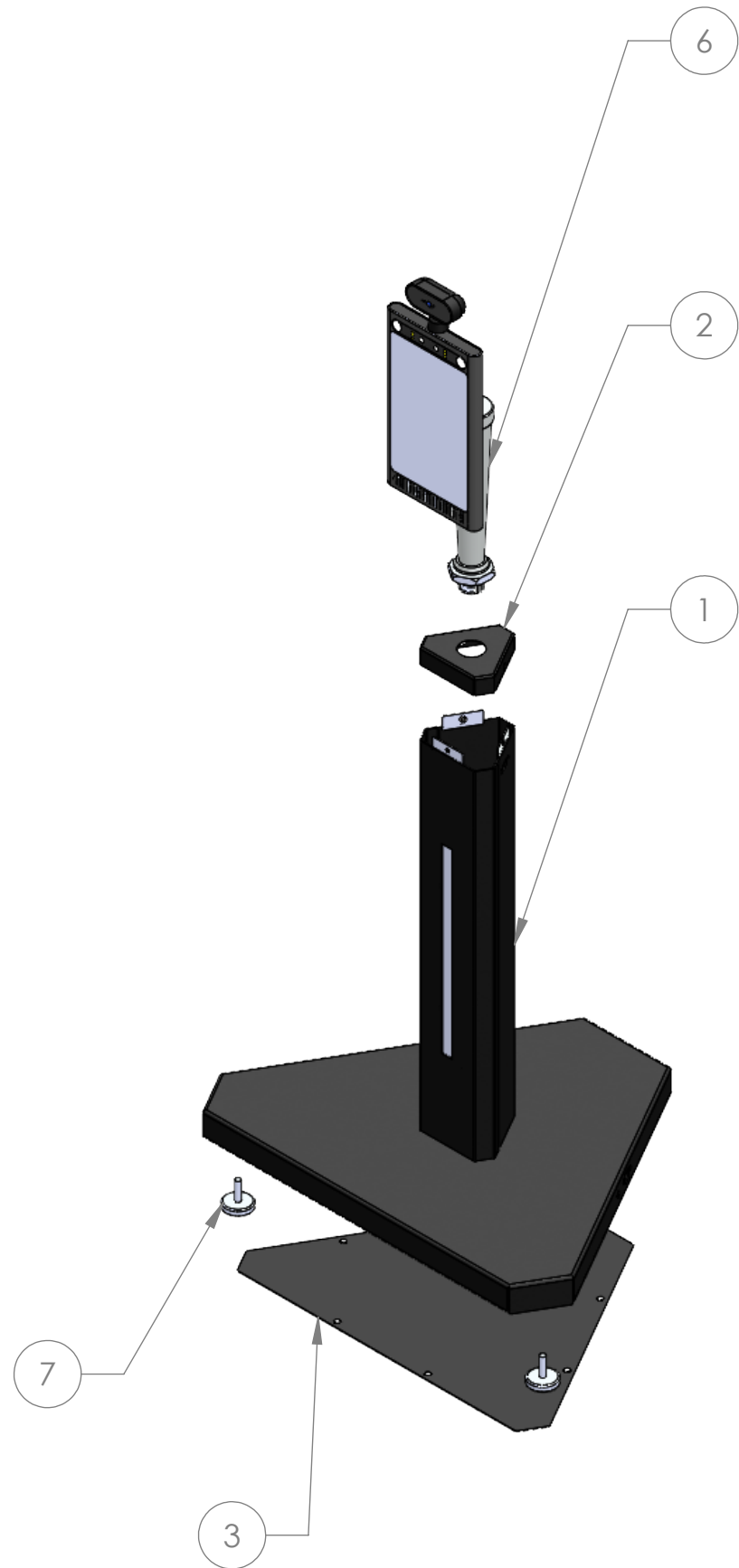


NOTES:

OUTFORM™		UNLESS OTHERWISE SPECIFIED: DIMENSIONS ARE IN MILLIMETRES TOLERANCES: FRACTIONAL ±0.5MM ANGULAR ±1° ONE PLACE DECIMAL ±.50 TWO PLACE DECIMAL ±.05	
PART NO. UE200260-D		VOLUME: Cu mm	
TITLE: IDISPLAY THERMOMETER ADULT STAND		WEIGHT: g	
MATERIAL:		DRAWN	DATE
FINISH:		COLOUR:	04/06/2020
REV 0	SHEET 1 / 2	THIRD ANGLE PROJECTION METRIC ENGLISH MM IN	DATE yyyy/mm/dd
SIZE A3		DO NOT SCALE	APPROVED -



Item No.	Part Name	Description	Material	Finish	Weight (g)	Qty
1	20E0260-D01-M001	IDISPLAY THERMOMETER STAND EMEA	SEE PART DRAWINGS	PC MATCHBOX BLACK	857.735	1
2	20E0260-A01-M002	TOP CAP	STEEL	EPC MATCHBOX BLACK	17.247	1
3	20E0260-A01-M003	BASE COVER	STEEL	EPC MATCHBOX BLACK	143.177	1
4	20E0260-D01-M002	LIGHTING TRAY	STEEL	EPC MATCHBOX BLACK		1
5	20E0260-D01-P001	LIGHTING DIFFUSER	OPAL 050			1
6	UK DISPLAY AND CAMERA					1
7	M8 X 30 FOOT					3

OUTFORM™		UNLESS OTHERWISE SPECIFIED: DIMENSIONS ARE IN MILLIMETRES TOLERANCES: FRACTIONAL ±0.5MM ANGULAR ±1° ONE PLACE DECIMAL ±.50 TWO PLACE DECIMAL ±.05	
PART NO. UE200260-D		VOLUME: Cu mm	
TITLE: IDISPLAY THERMOMETER ADULT STAND		WEIGHT: g	
MATERIAL:		DRAWN	DATE
FINISH:		COLOUR:	04/06/2020
REV 0	SHEET 2 / 2	THIRD ANGLE PROJECTION METRIC ENGLISH MM IN	APPROVED DATE - yyyy/mm/dd
		SIZE A3	DO NOT SCALE