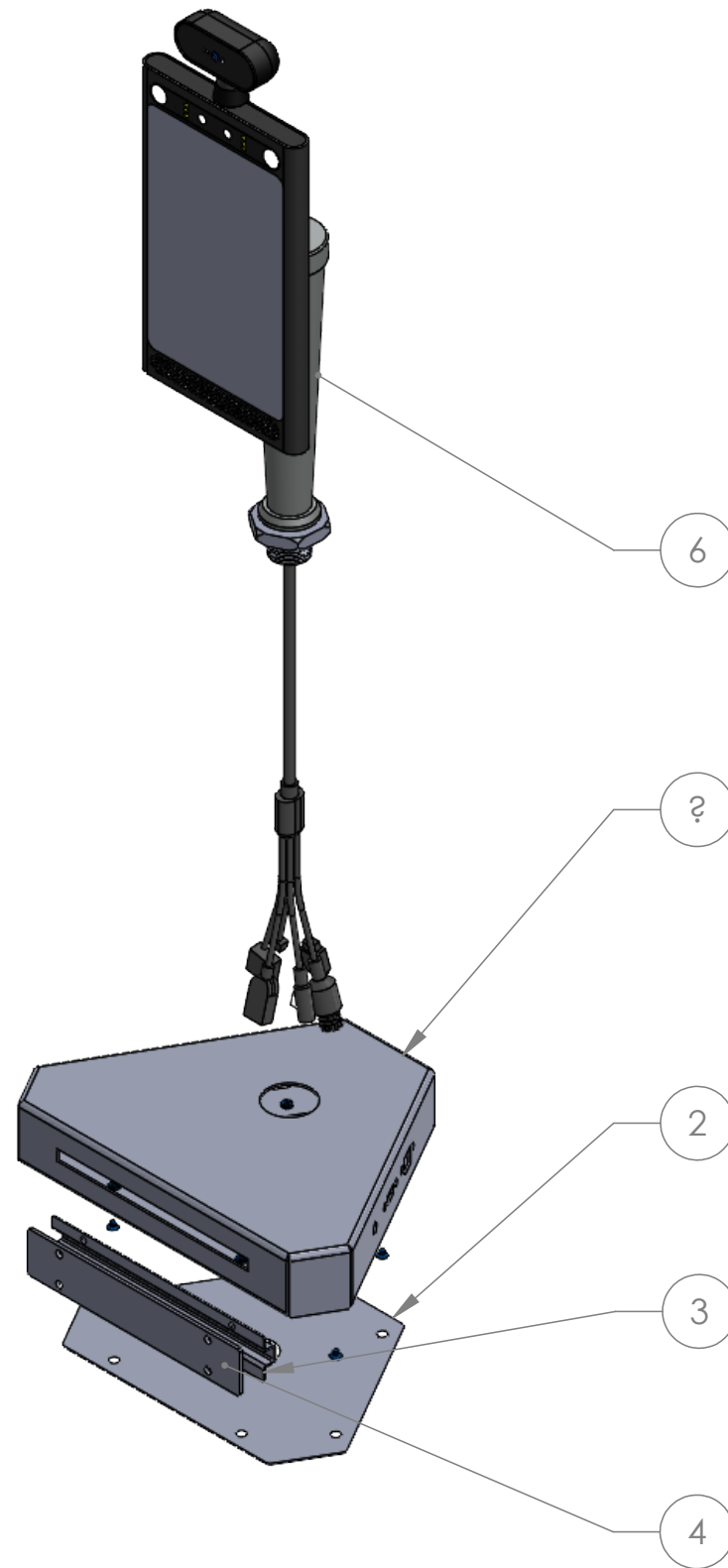


NOTES:

OUTFORM™		UNLESS OTHERWISE SPECIFIED: DIMENSIONS ARE IN MILLIMETRES	
PART NO. UE200260-B		TOLERANCES: FRACTIONAL ±0.5MM ANGULAR ±1° ONE PLACE DECIMAL ±.50 TWO PLACE DECIMAL ±.05	
TITLE: IDISPLAY THERMOMETER CTU STAND		VOLUME: Cu mm	
MATERIAL:		WEIGHT: 865.642 g	
FINISH:		DRAWN HB	DATE 04/06/2020
REV 0	SHEET 1 / 2	THIRD ANGLE PROJECTION METRIC ENGLISH MM IN	SIZE A3 DO NOT SCALE
		APPROVED -	DATE yyyy/mm/dd



Item No.	Part Name	Description	Material	Finish	Weight (g)	Qty
1	20E0260-B01-M001	IDISPLAY THERMOMETER CTU STAND EMEA	SEE PART DRAWINGS	PC MATCHBOX BLACK	211.531	1
2	20E0260-B01-M002	BASE COVER	STEEL	EPC MATCHBOX BLACK	38.337	1
3	20E0260-B01-M003	LIGHTING TRAY	STEEL	EPC MATCHBOX BLACK		1
4	20E0260-B01-P001	LIGHTING DIFFUSER	OPAL 050			1
5	BS EN ISO 7046-1 - M4 x 5 - Z - 5N					6
6	UK DISPLAY AND CAMERA					1

OUTFORM™		UNLESS OTHERWISE SPECIFIED: DIMENSIONS ARE IN MILLIMETRES TOLERANCES: FRACTIONAL ±0.5MM ANGULAR ±1° ONE PLACE DECIMAL ±.50 TWO PLACE DECIMAL ±.05	
PART NO. UE200260-B		VOLUME: Cu mm	
TITLE: IDISPLAY THERMOMETER CTU STAND		WEIGHT: 865.642 g	
MATERIAL:		DRAWN HB	
FINISH:		DATE 04/06/2020	
COLOUR:		APPROVED -	
REV 0	SHEET 2 / 2	THIRD ANGLE PROJECTION METRIC ENGLISH MM IN	SIZE A3 DO NOT SCALE
		DATE yyyy/mm/dd	